



# The Night Sky

The Newsletter of  
The Astronomy Club of Akron

www.acaoh.org

May 2023

## ACA MEETING - Sunday, May 21st, 2023 at 2:00 PM

### President's Column

By Cathy Loboda

#### Next ACA Monthly Meeting

ACA's next membership meeting is Sunday, May 21st at 2:00 pm. The meeting location is the Portage Lakes Kiwanis Civic Center, 725 Lakes Drive, Akron. Speaker Dr. Patrick Durrell of Youngstown State University will have a presentation on the James Webb telescope project. We look forward to seeing you on the 21st!

#### Mark Your Calendars!

The ACA Annual Summer Picnic is scheduled for Sunday, July 30th at 1:00 pm. ACA will provide the burgers, dogs, buns, and paper products. Members are asked to bring a dish to share. Keep an eye on your email for details to follow!

#### Help Needed for Camp Ed Bear

This is the last call for volunteers to set up telescopes for Camp Ed Bear. The camp is sponsored by Akron Children's Hospital for its cancer patients. ACA members are asked to set up telescopes to host a star party for the children on Friday, June 2nd, weather

permitting. Typically, set up is at 8 pm and the event is over by 10 pm. Please contact President Cathy Loboda or Trustee Katie Adams now if you are able to volunteer.

#### New Member Welcome

ACA warmly welcomes new members Janet Stewart, Taylor McKinnie, and Wyatt Scott. We thank you for your membership and look forward to seeing you at future club events!

#### Summer Hiatus

ACA will take its traditional summer hiatus from membership meetings after our May 21st meeting. This doesn't mean ACA is away for summer! Summer is ACA's busiest season with star parties ramping up during warm summer nights. ACA Observatory Director Ron Kalinoski offers numerous star parties throughout the season. Ron has found much success in impromptu star parties, since the event is dependent on weather conditions. These are always announced and cancelled via email. So please keep an eye on your email throughout the summer and attend often!

#### OFFICERS 2022 — 2024

President: Cathy Loboda

• E-mail: president@acaoh.org

Vice President: Gary Smith

• E-mail: vice.president@acaoh.org

Treasurer: Dave Hartsook

• E-mail: treasurer@acaoh.org

Secretary: Marnie Sanders

• E-mail: secretary@acaoh.org

Assistant Secretary/Treasurer: Reece Davis

• E-mail: secretarytreasurer@acaoh.org

Observatory Director: Ron Kalinoski

• E-mail: observatory.director@acaoh.org

ACA Webmaster: Jeff Hudson

• E-mail: webmaster@acaoh.org

Publications Secretary: Glenn R. Cameron

• E-mail: newsletter.editor@acaoh.org

Trustee: Mike Sanders

• E-mail:

Trustee: Katie Adams

• E-mail: katiemarie1678@gmail.com

Trustee: position vacant

• E-mail:

Statutory Agent: Mark Kochheiser

• E-mail: statutoryagent@acaoh.org

OTAA Representative: Lou Poda

• E-mail:

## ACA Minutes For Membership Meeting, 2 PM, April 30th, 2023

By Marnie Sanders

### Speaker's Presentation

Jody and Roy McCullough were so fascinating with all the history, beginning with Newton, of the history of discovering all the use/beliefs of the Spectra scope to see even fireworks caused elements to show! The filming was spectacular as was the lecturing! Over 4500 active planets are still available for studying with folks like Jody and Roy as well as Tom Field, who is a great photographer too! Just a big WOW! And we are so recommended to continue to improve our witnessing of these Spectra. Thanks to Jody and Roy!

### Business meeting called to order 3:20 pm

- Minutes of March were published in April Newsletter and approved as published
- Treasurer's report for March was published in the April Newsletter and approved as published
- Upcoming (June 2) Camp Bear assistance with Moon vision was discussed and in progress (and will discuss with Katie too.)
- Social for Summer membership discussed for Picnic in summer and was scheduled for July 30

and was approved by Portage Lakes the following day

- Gary reviewed interesting Elon Musk activities upcoming

### Observatory report

- Ron held a 35 homeschool student review of "Intro to Astronomy" on April 5 with demo on daytime sky at our Kiwanis Center which lasted 5 hours and will likely re-occur! Thanks Ron!
- Additional Public Star Gazing events were glorious that even went longer
- than scheduled on both April 12 and 20 with approx 30 participants for each! Woot Ron and thanks Kathi and Troy both assisting!
- No New Observances reported
- No Inquiries spoken

### Notes

- Treasurer mentioned Name renewal and May opportunity to clear.
- Also May 13\* at 12 noon will be scheduled for Officer's brief meeting 12 noon at the Kiwanis Hall (and was cleared the next day by Kiwanis.)

### Meeting closed at 4:05 pm

Marnie Sanders, Secretary

\* Officer meeting changed to June 3 at 12 noon. Ed.



**April 2023 ACA Treasurer's Report  
By Dave Hartsook  
5/1/2023**

<b>Checking Beginning Balance</b>	<b>\$1,191.01</b>
-----------------------------------	-------------------

**Income**

Membership Dues Received (1 NEW Adult pro-rated)	\$15.00
Transfer from Savings	\$300.00

<b>Total Income</b>	<u><u>\$315.00</u></u>
---------------------	------------------------

**Expenses**

Speaker Honorarium paid at April stated meeting	-\$50.00
Transfer funds onto PayPal Account for upcoming Domain name renewal autopay	-\$35.00

<b>Total Expenses</b>	<u><u>-\$85.00</u></u>
-----------------------	------------------------

<b>Income Less Expenses</b>	\$230.00
-----------------------------	----------

<b>Checking Ending Balance</b>	<u><u>\$1,421.01</u></u>
--------------------------------	--------------------------

<b>Savings Beginning Balance</b>	<b>\$3,768.72</b>
----------------------------------	-------------------

Transfer to Checking	-\$300.00
Interest Income	\$0.03

<b>Savings Ending Balance</b>	<u><u>\$3,468.75</u></u>
-------------------------------	--------------------------

<b>Petty Cash Beginning Balance</b>	<b>\$50.00</b>
-------------------------------------	----------------

No Activity

<b>Petty Cash Ending Balance</b>	<b>\$50.00</b>
----------------------------------	----------------

<b>Grand Total</b>	<b>\$4,939.76</b>
--------------------	-------------------

## Swap-n-Shop

Freddy Huffman

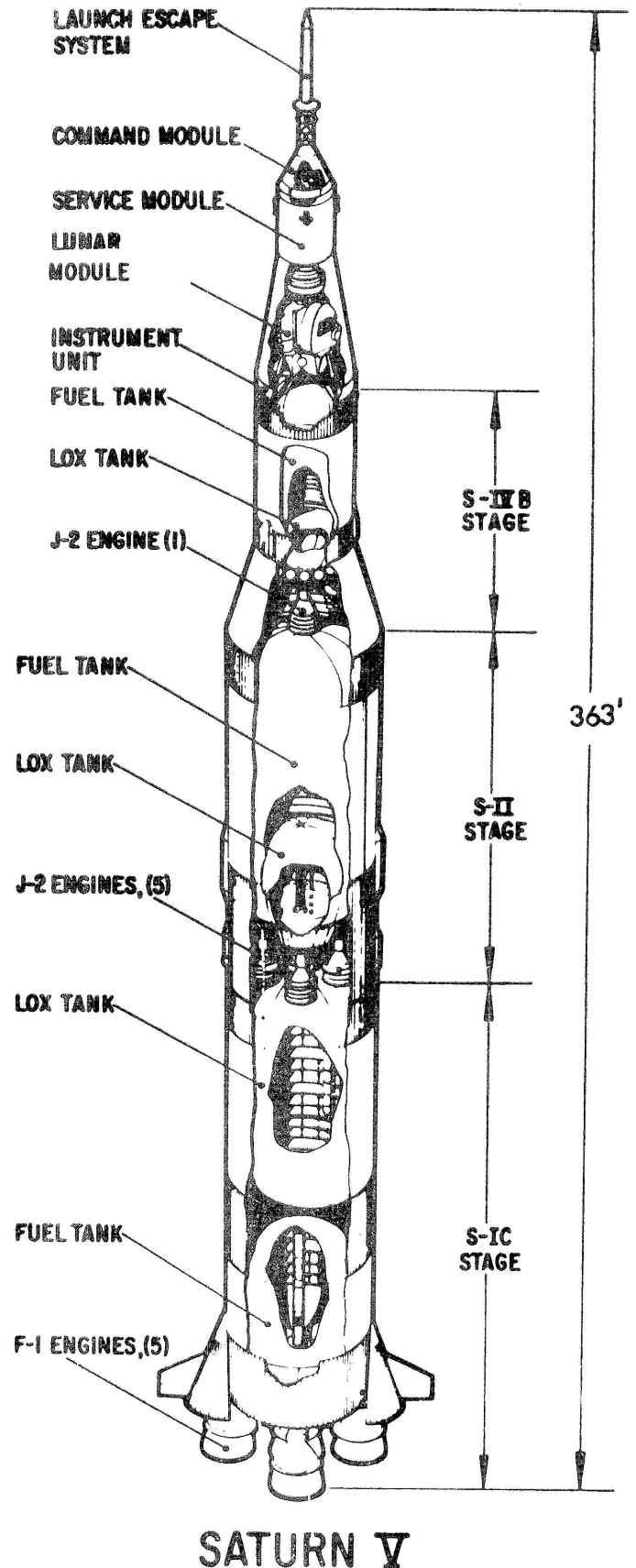
Phone: 330-535-8009

Email: trusstube2@gmail.com

- 8" Dobsonian
- 8" SCT
- 6" SCT
- 6" Refractor
- 5" Refractor
- 100 mm Binoculars
- EQ Mount w/ dual axis tracking
- iOptron SkyTracker and tripod

Call to set up appointment to see if you are interested.

Thank you,



## Blast From Mays Past

By Glenn Cameron

Here's a blast from Mays past. On May 25th, 2013 the ACA had a solar star party on a beautiful day!



## May Astronomical Events

Date	EST (h:m)	Event
01	23:00	Mercury at Inferior Conj.
04	00:55	Spica 3.3°S of Moon
04	21:57	Moon at Descending Node
05	14:00	Eta-Aquarid Meteor Shower
05	17:23	Pen. Lunar Eclipse; mag=0.964
05	17:34	FULL MOON
07	12:35	Antares 1.5°S of Moon
08	11:27	Mars 4.9°S of Pollux
09	21:00	Uranus in Conj. with Sun
11	04:57	Moon at Perigee: 369345 km
12	14:28	LAST QUARTER MOON
13	13:04	Saturn 3.3°N of Moon
17	13:15	Jupiter 0.8°S of Moon: Occn.
17	19:36	Moon at Ascending Node
18	01:34	Mercury 3.6°S of Moon
19	15:53	NEW MOON
23	12:08	Venus 2.2°S of Moon
24	01:37	Pollux 1.6°N of Moon
24	17:32	Mars 3.8°S of Moon
26	01:39	Moon at Apogee: 404510 km
27	15:22	FIRST QUARTER MOON
29	05:00	Mercury at Grtst Elong: 24.9°W
29	13:04	Venus 3.9°S of Pollux



## June Astronomical Events

Date	EST (h:m)	Event
01	06:22	Moon at Descending Node
03	21:19	Antares 1.6°S of Moon
04	03:42	FULL MOON
04	11:00	Venus at Greatest Elong: 45.4°E
06	23:07	Moon at Perigee: 364860 km
09	20:19	Saturn 3.0°N of Moon
10	19:31	LAST QUARTER MOON
14	00:05	Moon at Ascending Node
14	06:33	Jupiter 1.5°S of Moon
16	00:47	Pleiades 1.8°N of Moon
16	20:16	Mercury 4.2°N of Aldebaran
16	20:39	Mercury 4.3°S of Moon
18	04:37	NEW MOON
20	09:10	Pollux 1.7°N of Moon
21	14:58	Summer Solstice
22	00:47	Venus 3.7°S of Moon
22	10:09	Mars 3.8°S of Moon
22	18:30	Moon at Apogee: 405385 km
23	07:08	Regulus 4.4°S of Moon
26	07:50	FIRST QUARTER MOON
27	19:00	Mercury at Perihelion
27	19:08	Spica 3.1°S of Moon
28	12:22	Moon at Descending Node



# ***The Night Sky***

Newsletter of the Astronomy Club of Akron

c/o Glenn R. Cameron, Editor