



The Night Sky

The Newsletter of
The Astronomy Club of Akron

www.acaoh.org

April 2023

ACA MEETING - Sunday, April 30th, 2023 at 2:00 PM

President's Column

By Cathy Loboda

Next ACA Monthly Meeting

ACA's next membership meeting is Sunday, April 30th at 2:00 pm. This date is a deviation from our regular third Sunday of the month schedule. Please mark your calendars and make every effort to attend! The meeting location is the Portage Lakes Kiwanis Civic Center, 725 Portage Lakes Drive, Akron. Jodi and Roy McCullough of Mahoning Valley Astronomical Society will present "Spectra: A Valuable Tool for Astronomy." Jodi and Roy have been popular presenters for ACA and always deliver exceptional presentations. We look forward to seeing you on the 30th!

Mark Your Calendars!

Members mark your calendars and plan to attend the May 21st ACA meeting. Dr. Patrick Durrell of Youngstown State University will have a presentation on the James Webb telescope project.

Help Needed for Camp Ed Bear

Camp Ed Bear is returning this year after a hiatus due to the pandemic. Director Doug Palmer emailed asking if ACA will participate as we have in the past. The camp is sponsored by Akron Children's Hospital for its cancer patients and will be in session June 2-4. ACA members are asked to set up our telescopes on Friday, June 2nd, weather permitting. Camp Ed Bear has been a service tradition for ACA and is a fulfilling experience for young cancer patients who attend. Please contact President Cathy Loboda or Trustee Katie Adams ASAP if you are able, to make this event possible.

New Member Welcome

ACA extends a warm welcome to new member Mark Anson. ACA thanks you for your membership and interest in our club! We look forward to seeing you at future club events!

OFFICERS 2022 — 2024

President: Cathy Loboda

• E-mail: president@acaoh.org

Vice President: Gary Smith

• E-mail: vice.president@acaoh.org

Treasurer: Dave Hartsook

• E-mail: treasurer@acaoh.org

Secretary: Marnie Sanders

• E-mail: secretary@acaoh.org

Assistant Secretary/Treasurer: Reece Davis

• E-mail: secretarytreasurer@acaoh.org

Observatory Director: Ron Kalinoski

• E-mail: observatory.director@acaoh.org

ACA Webmaster: Jeff Hudson

• E-mail: webmaster@acaoh.org

Publications Secretary: Glenn R. Cameron

• E-mail: newsletter.editor@acaoh.org

Trustee: Mike Sanders

• E-mail:

Trustee: Katie Adams

• E-mail: katiemarie1678@gmail.com

Trustee: position vacant

• E-mail:

Statutory Agent: Mark Kochheiser

• E-mail: statutoryagent@acaoh.org

OTAA Representative: Lou Poda

• E-mail:



ACA Minutes For Membership Meeting, 2 PM, March 19th, 2023

By Marnie Sanders

Speaker's Presentation

Jay Reynolds spoke to us for a full hour with a great presentation of actual climate effects over the past 400 years! Many questions and issues followed for most of another 30 minutes with guests and Jay's answers fascinating! The specific issues of the last 50 years, increasingly high CO2 emissions, are weather changes that are hot topics currently! We are recommending that those who are much younger than the majority of our current members should become more involved. Thanks Jay!

Business meeting called to order 3:45 pm

V-President Gary called the meeting to order

- Minutes of February were published in March Newsletter and approved as published

- Treasurer's Report was published in March Newsletter and approved as published
- March Galaxy meeting was minimal and future will be discussed
- Past President Gregg mentioned some interesting activities upcoming including April 1 activity at Avon Lake with Eclipse preview.
- Gary reviewed interesting Elon Musk activities upcoming

Meeting was adjourned at 4:10

SPECIAL NOTE: Ron Kalinoski held a special observatory event on March 19th for all interested star gazers so they could view the spectacular open clusters that evening! They particularly enjoyed the Great Orion Nebula and the Seven Sisters! The Pleiades and the Beehive Cluster were especially spectacular together using the 32mm, 2-inch, 100 degree field of view eyepiece. Thanks Ron, from all the star gazers that evening!

Marnie Sanders, Secretary

Update Your Calendars!

By Marnie Sanders

Put these on your calendars NOW! We can't wait to see you all for the next two meetings! BOTH at our Portage Lakes Kiwanis Civic Center at 725 Portage Lakes Drive, Akron.

Our April meeting is Sunday, April 30th at 2 PM, with great photos and some delicious refreshments. Plan to enjoy two of our very best Star Gazers, Jodi and Roy McCullough, with their topic, "Spectra: A Valuable Tool for Astronomy!"

Our May meeting on Sunday, May 21st at 2 PM, will bring Dr. Patrick Durrell from YSU with his TERRIFIC and INCREDIBLE photos from the brand-new JAMES WEBB Space Telescope with extraordinary capabilities! And, of course, more great refreshments will be served too!

Meetings with program speakers will resume next September!

AND... MANY STAR GAZING PARTIES will continue from April and thru the Summer at our observatory in Portage Lakes State Park!

SO... DON'T forget ALL the added Star Parties that will be posted on our website at acaoh.org.

Check out all the info and how to sign up for star gazing notices from our observatory director, Ron Kalinoski.

Marnie Sanders, Secretary



March 2023 ACA Treasurer's Report
By Dave Hartsook
4/3/2023

Checking Beginning Balance	\$1,913.75
Income	
Membership Dues Received (1 NEW Adult pro-rated)	\$15.00
Total Income	<u>\$15.00</u>
Expenses	
Speaker Honorarium paid at March stated meeting	-\$50.00
Check #1030 Reimb Secy for ACA Speaker Thank You Cards	-\$37.74
Check #1031 State Farm - Annual Insurance Payment	-\$650.00
Total Expenses	<u>-\$737.74</u>
Income Less Expenses	-\$722.74
Checking Ending Balance	<u><u>\$1,191.01</u></u>
Savings Beginning Balance	\$3,768.72
Interest Income	\$0.03
Savings Ending Balance	<u><u>\$3,768.75</u></u>
Petty Cash Beginning Balance	\$50.00
No Activity	
Petty Cash Ending Balance	<u><u>\$50.00</u></u>
Grand Total	<u><u>\$5,009.76</u></u>

Swap-n-Shop

Freddy Huffman

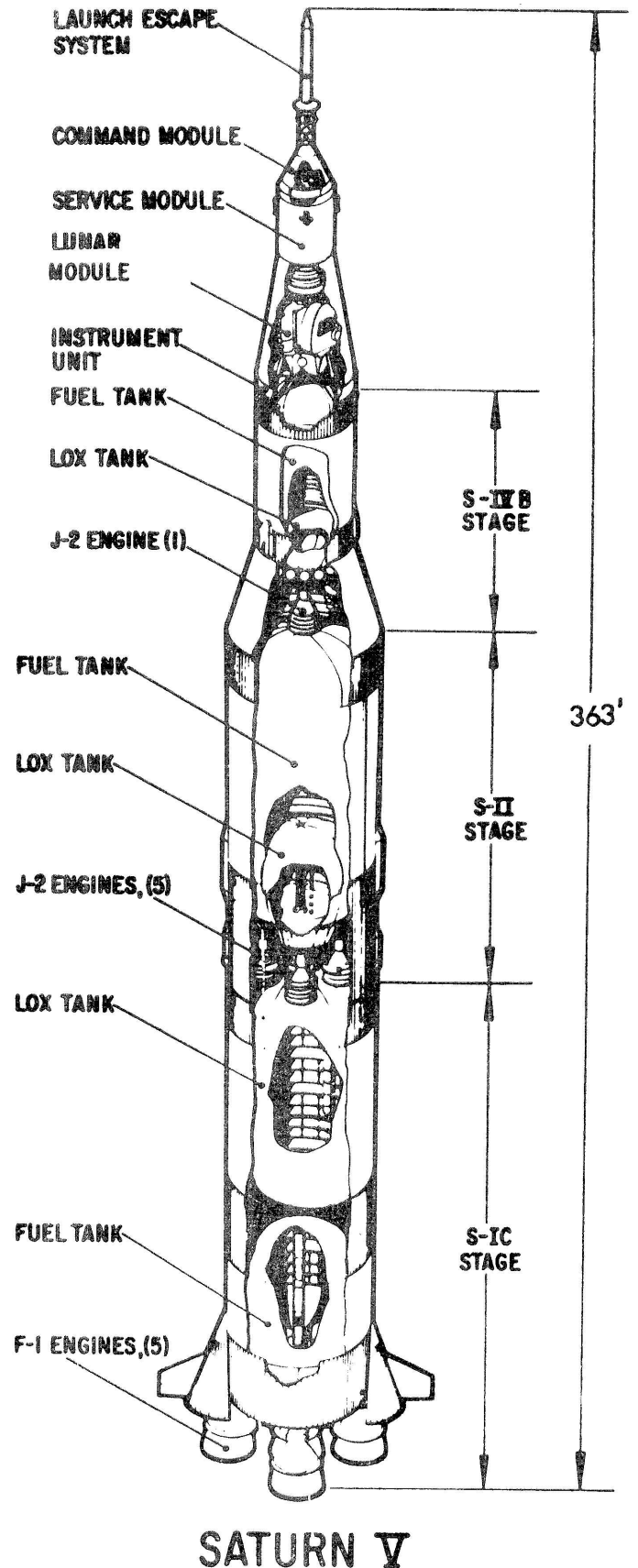
Phone: 330-535-8009

Email: trusstube2@gmail.com

- 8" Dobsonian
- 8" SCT
- 6" SCT
- 6" Refractor
- 5" Refractor
- 100 mm Binoculars
- EQ Mount w/ dual axis tracking
- iOptron SkyTracker and tripod

Call to set up appointment to see if you are interested.

Thank you,



Blast From Aprils Past

By Glenn Cameron

In April 1980 I was a senior in high school and one of my elective classes was, Astronomy. Here is my astronomy class picture and also exhibit A in my bedroom revealing that I was a total space nerd!



April Astronomical Events

Date	EST (h:m)	Event
06	04:35	FULL MOON
06	16:45	Spica 3.3°S of Moon
07	13:51	Moon at Descending Node
10	05:50	Antares 1.5°S of Moon
11	04:42	Venus 2.5°S of Pleiades
11	21:00	Jupiter in Conjunction with Sun
11	22:00	Mercury at Grtst Elong: 19.5°E
13	09:11	LAST QUARTER MOON
16	02:22	Moon at Perigee: 367967 km
16	03:47	Saturn 3.5°N of Moon
17	16:00	Venus at Perihelion
20	04:12	NEW MOON
20	04:17	Hybrid Solar Eclipse mag=1.013
20	11:32	Moon at Ascending Node
22	09:14	Pleiades 1.9°N of Moon
23	01:00	Lyrid Meteor Shower
23	13:03	Venus 1.3°S of Moon
26	02:18	Mars 3.2°S of Moon
26	17:26	Pollux 1.5°N of Moon
27	21:20	FIRST QUARTER MOON
28	06:43	Moon at Apogee: 404300 km



May Astronomical Events

Date	EST (h:m)	Event
01	23:00	Mercury at Inferior Conj.
04	00:55	Spica 3.3°S of Moon
04	21:57	Moon at Descending Node
05	14:00	Eta-Aquarid Meteor Shower
05	17:23	Pen. Lunar Eclipse; mag=0.964
05	17:34	FULL MOON
07	12:35	Antares 1.5°S of Moon
08	11:27	Mars 4.9°S of Pollux
09	21:00	Uranus in Conj. with Sun
11	04:57	Moon at Perigee: 369345 km
12	14:28	LAST QUARTER MOON
13	13:04	Saturn 3.3°N of Moon
17	13:15	Jupiter 0.8°S of Moon: Occn.
17	19:36	Moon at Ascending Node
18	01:34	Mercury 3.6°S of Moon
19	15:53	NEW MOON
23	12:08	Venus 2.2°S of Moon
24	01:37	Pollux 1.6°N of Moon
24	17:32	Mars 3.8°S of Moon
26	01:39	Moon at Apogee: 404510 km
27	15:22	FIRST QUARTER MOON
29	05:00	Mercury at Grtst Elong: 24.9°W
29	13:04	Venus 3.9°S of Pollux



The Night Sky

Newsletter of the Astronomy Club of Akron

c/o Glenn R. Cameron, Editor